

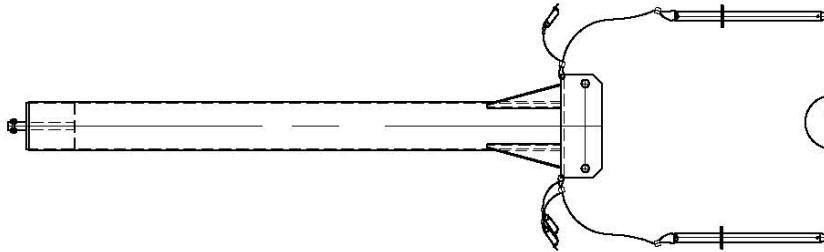


RENTAL/CONSTRUCTION ARM
ASSEMBLY PROCEDURE
(600 SERIES BASE)

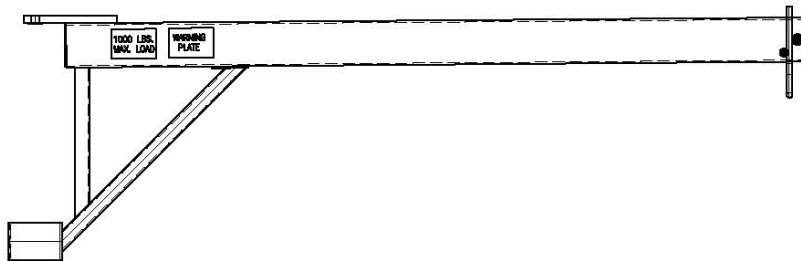
*This is the assembly procedure for our 8ft 6 reach rental/construction
davit arms with the 600 series base.*

Contact Us:
1 (800) 461-0575
www.pro-bel.com

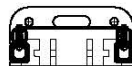
RENTAL / CONSTRUCTION ARM ASSEMBLY PROCEDURE



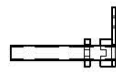
① MAST ASSEMBLY



② BOOM ASSEMBLY



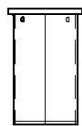
③A



③B

③ 2 PIECES ADAPTOR

SIDE VIEW - SUB-ASSEMBLIES



④ DAVIT BASE
(USUALLY ON SITE AND
INSTALLED WHEN THE
DAVIT ASSEMBLIES ARRIVE)

ATTENTION:

PRIOR TO DAVIT SET-UP, VERIFY THAT ALL COMPONENTS ARE IN GOOD WORKING CONDITION. SHOULD ANY DAVIT COMPONENT SUFFER DAMAGE OR LOST, WORKERS ARE TO CONTACT PRO-BEL IMMEDIATELY FOR REPLACEMENTS AND REMOVE DAVIT FROM SERVICE.

TIE OFF ALL COMPONENTS PRIOR TO ASSEMBLY TO ENSURE THEY CANNOT FALL FROM AND/OR CAUSE DAMAGE TO BUILDING.

WHEN SETTING UP DAVITS, ENSURE THAT SECUREMENT, PINS ARE PROPERLY ENGAGED

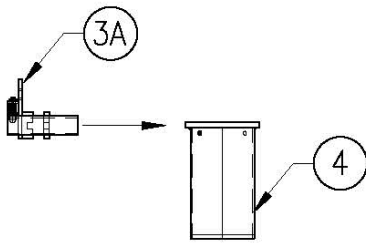
DOUBLE CHECK ALL CONNECTION POINTS PRIOR TO PUTTING DAVIT INTO SERVICE.

FAILURE TO COMPLY WITH THE ABOVE MAY RESULT IN SERIOUS INJURY OR DEATH

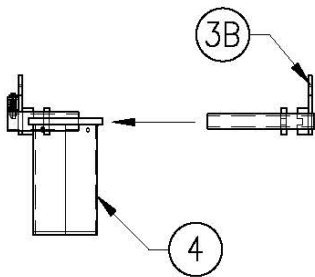
1 OF 6

PRO-BEL

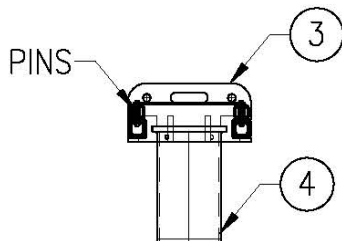
1 (800) 461-0575 · www.pro-bel.com



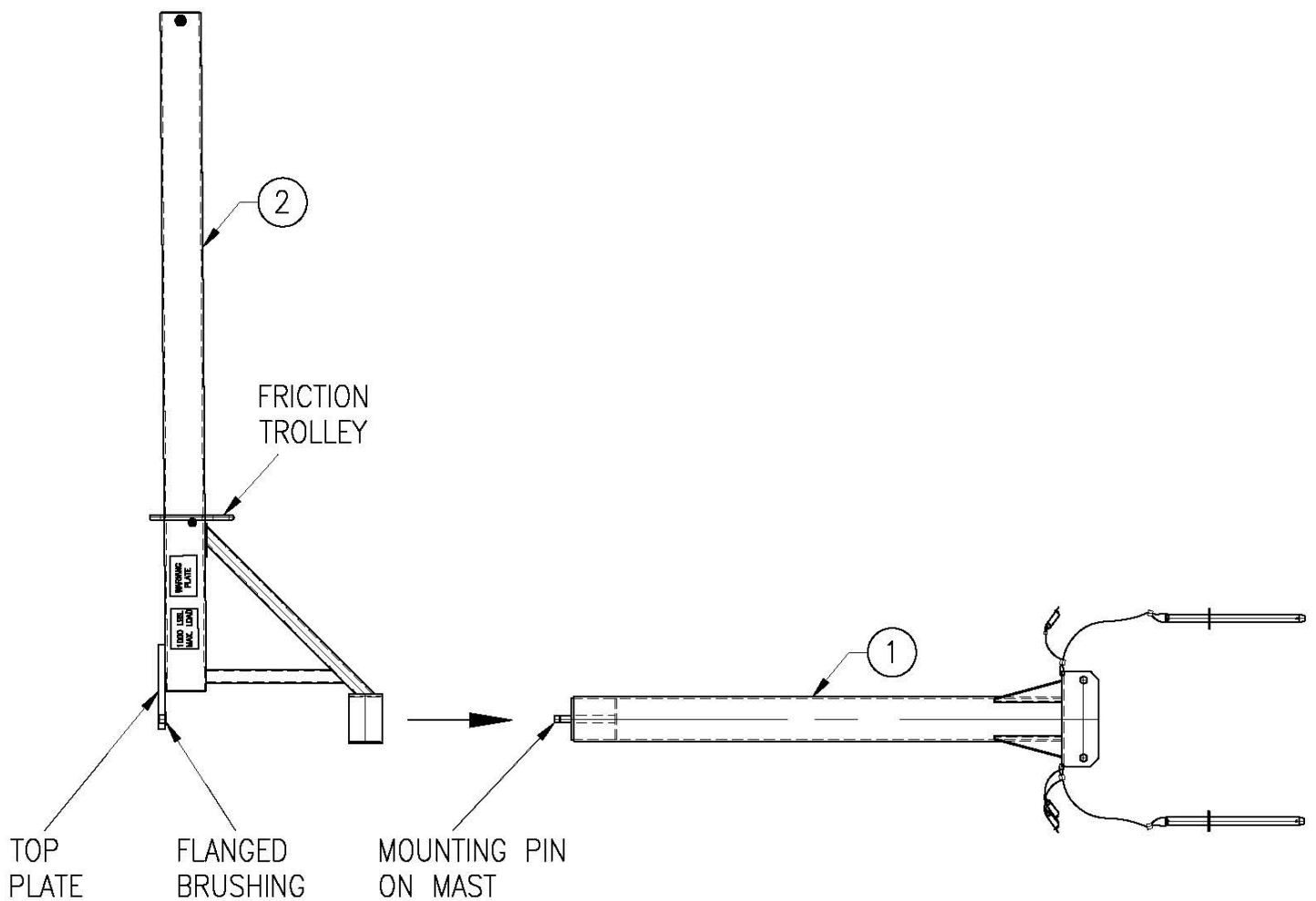
1. ALIGN THE LUGS OF SUB-ASSEMBLY (#3A) WITH THE TOP PLATE OF THE DAVIT BASE (#4). SLIDE INTO PLACE AND SUPPORT THE STRUCTURE.



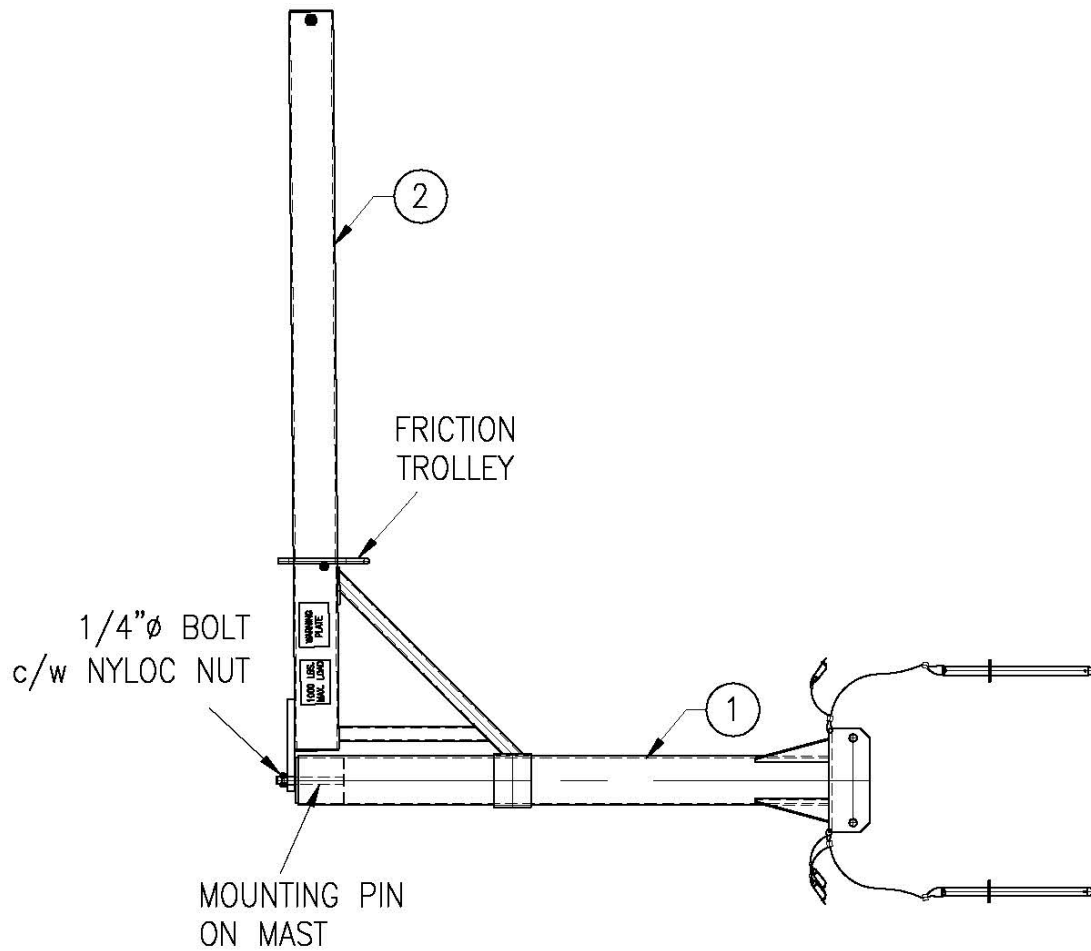
2. ALIGN THE SQUARE TUBES OF SUB-ASSEMBLY (#3B) WITH THOSE OF THE SUB-ASSEMBLY (#3A). SLIDE TOGETHER UNTIL IT TOUCHES THE PIN ASSEMBLY.



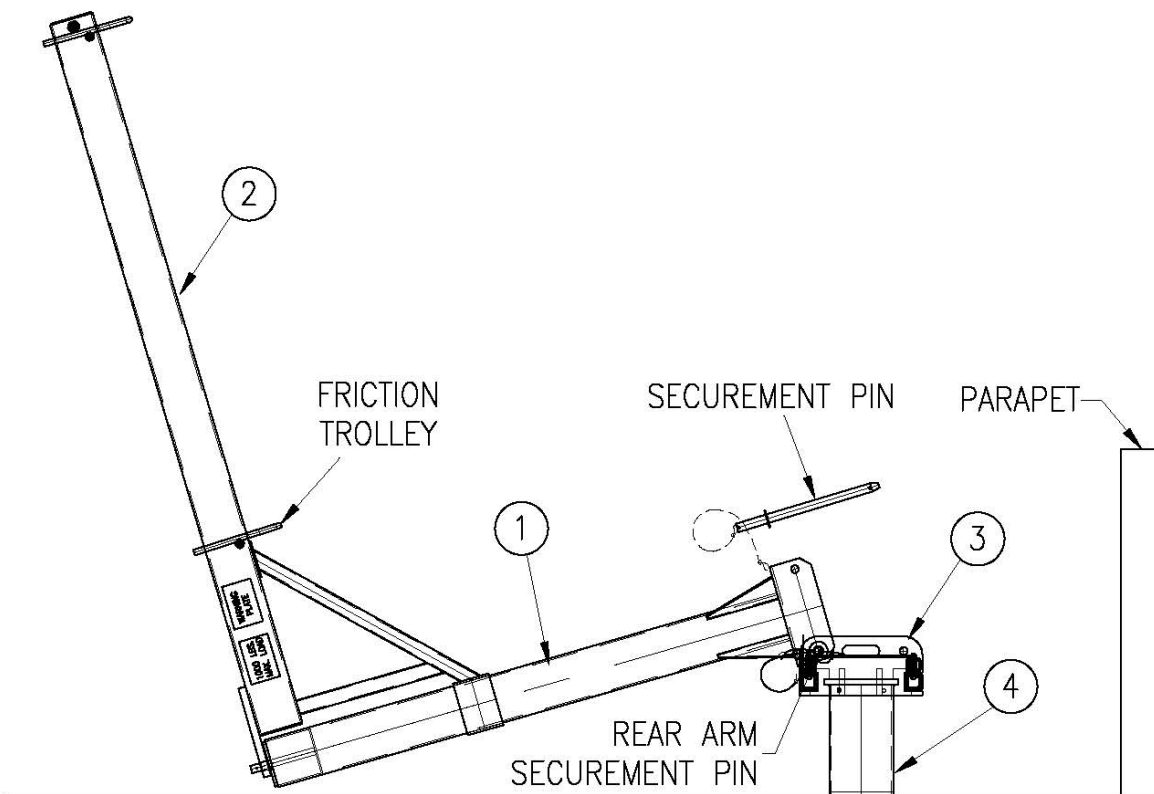
3. LIFT THE PIN ASSEMBLY AND PUSH THE SUB-ASSEMBLY (#3B) FORWARD UNTIL THE PIN LOCATES THE HOLE. RELEASE THE PIN ASSEMBLY AND LOCK THE ADAPTOR IN PLACE.



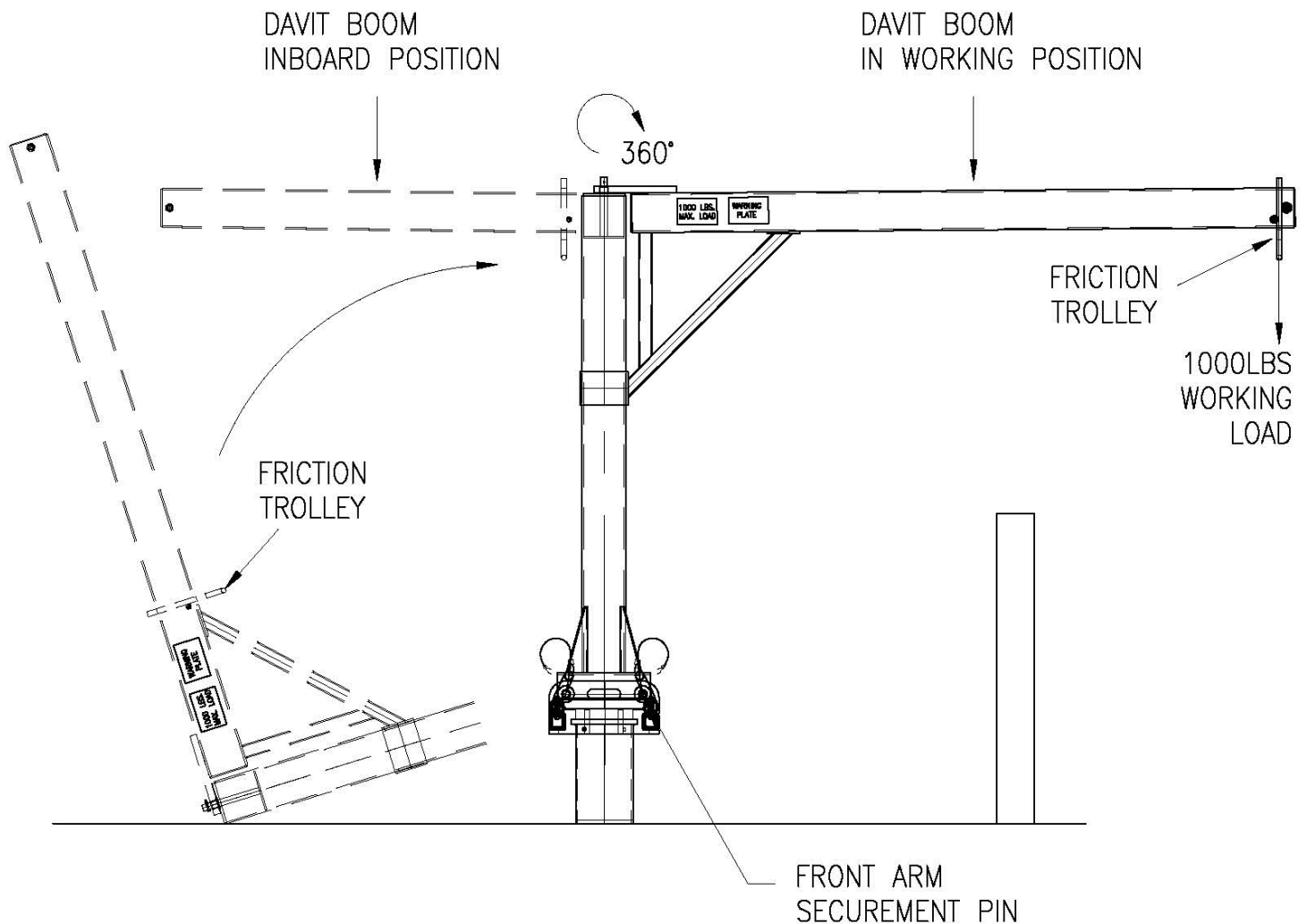
4. SLIDE THE BOOM ASSEMBLY (#2) INTO THE MAST ASSEMBLY (#1).
THE FLANGED BRUSHING AT THE TOP PLATE OF THE BOOM WILL PASS THROUGH THE MOUNTING PIN ON MAST AND SIT ON THE TOP OF THE MAST.



5. SECURE THE BOOM ASSEMBLY (#2) TO THE MAST ASSEMBLY (#1) BY INSTALLING THE 1/4"Ø BOLT c/w NYLOC NUT.



6. MOVE THE ARM ASSEMBLY (#1 & 2) INTO THE ADAPTOR (#3) AS SHOWN. ALIGN THE BOTTOM HOLE OF ARM GUSSETED MAST (#1) WITH THE REAR HOLE OF ADAPTOR (#3). INSTALL REAR ARM SECUREMENT PIN. ENSURE THAT THE CONNECTION PIN SAFETY CLIP IS INSTALLED AND IS FULLY ENGAGED.



7. RAISE THE ARM ASSEMBLY UP WITH THE DAVIT BOOM FACING INBOARD OVER THE ROOF, TO ITS FULL UPRIGHT POSITION, BEING CAREFUL NOT TO LET THE ASSEMBLY CRASH FORWARD.

AFTER ASSEMBLY HAS BEEN RAISED, INSERT THE FRONT ARM SECUREMENT PIN INTO GUSSETED MAST/BASE HOLE. MAKE SURE THE SECUREMENT PIN SAFETY CLIP IS INSTALLED AND IS FULLY ENGAGED.

ATTACH RIGGING LINE TO FRICTION TROLLEY AND MOVE TROLLEY TO THE REQUIRED BOOM PICK UP POINT.

PROCEED TO ROTATE DAVIT ASSEMBLY OUTBOARD OVER THE ROOF EDGE TO THE WORKING POSITION.