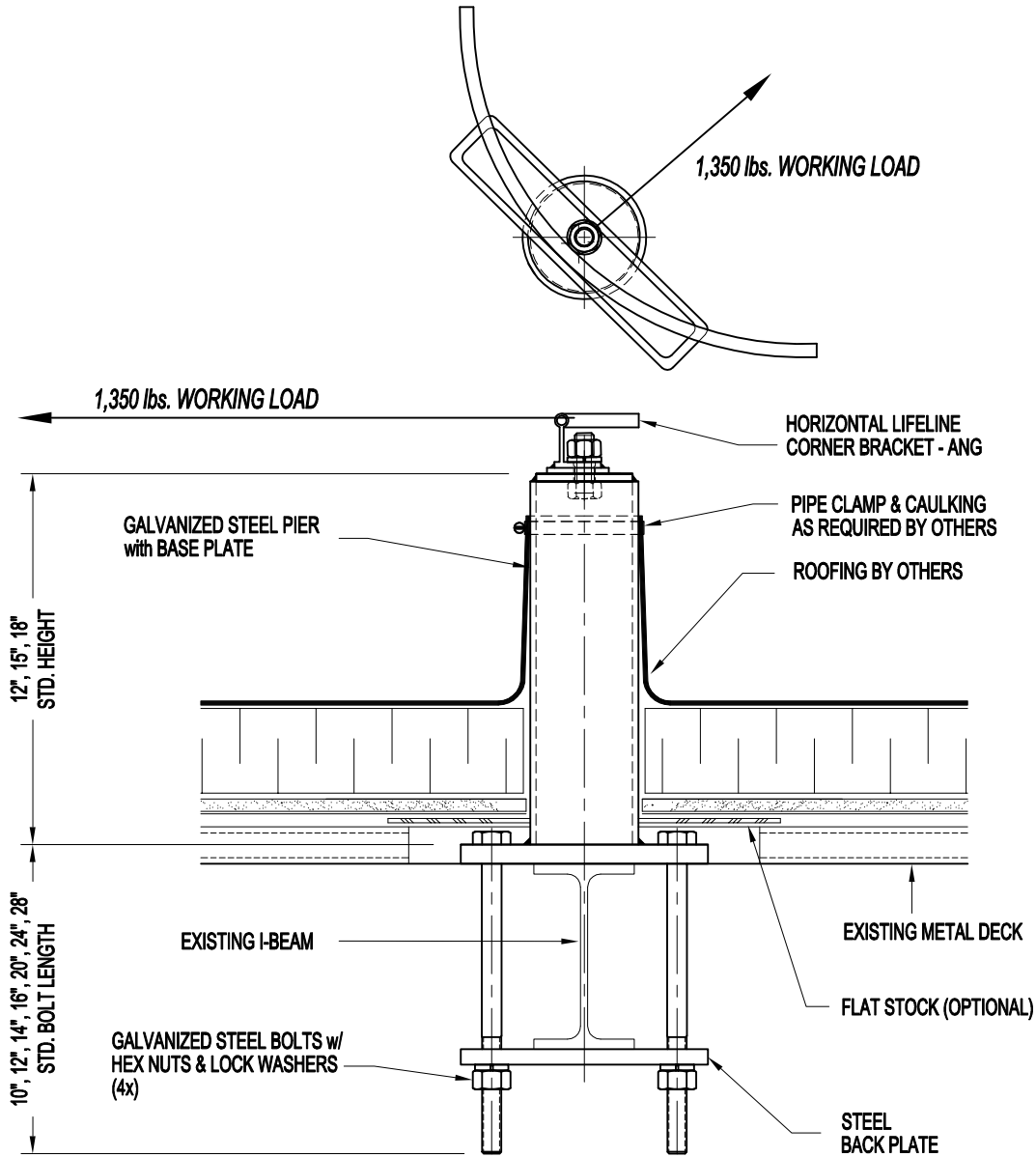


NOTES:

- 1,350 lbs. WORKING LOAD (WHEN USING VERTIC SHOCK ABSORBER- ABS600).
- ASSEMBLY AVAILABLE IN 12", 15" AND 18" STANDARD HEIGHTS WITH STANDARD BOLT LENGTHS OF 10", 12", 14", 16", 20", 24" AND 28", AND BASE AND BACK PLATES COME IN STANDARD (8"x8"), (8"x10"), (8"x12"), (8"x14") AND (8"x16") SIZES.
- ASSEMBLY SHOWN WITH CONVENTIONAL SINGLE PLY ROOFING (BY OTHERS) - NO FLASHING.



MAX. LIMIT = 24"

IMPORTANT:

- HORIZONTAL LIFELINE ANCHORS ARE DESIGNED TO A MAXIMUM FORCE OF 1,350 lbs. (6.0 KN) WHEN USING VERTIC SHOCK ABSORBER (ABS600), WITH A FACTOR OF SAFETY OF 2 WITHOUT ANY PERMANENT DEFORMATION, FRACTURE OR DETACHMENT.
- IT IS THE RESPONSIBILITY OF THE STRUCTURAL ENGINEER FOR THE OVERALL PROJECT TO ENSURE THAT THE STRUCTURE ON WHICH THE SAFETY EQUIPMENT BY PRO-BEL IS INSTALLED, IS REINFORCED TO WITHSTAND THE LOADS INDICATED ON THIS DRAWING.



PRO-BEL ENTERPRISES LTD.
765 WESTNEY ROAD S., AJAX, ONTARIO L1S 6W1
TEL: (905) 427-0616 FAX: (905) 427-2545
1(800) 461-0575
VISIT OUR WEBSITE @ WWW.PRO-BEL.CA

PRO-BEL DESIGNS, MANUFACTURES, AND INSTALLS PRE-ENGINEERED WINDOW CLEANING/SUSPENDED MAINTENANCE EQUIPMENT & FALL PROTECTION SYSTEMS

- ROOF & WALL ANCHORS
- OUTRIGGER BEAMS
- POWERED PLATFORMS
- RIGGING SLEEVES
- DAVITS
- HORIZONTAL LIFELINE SYSTEMS
- MONORAIL SYSTEMS
- ROOF CARS
- GANTRIES
- LADDERS & GUARDRAILS
- MATERIALS WINCH-HOISTS
- STABILIZATION SYSTEMS & more....