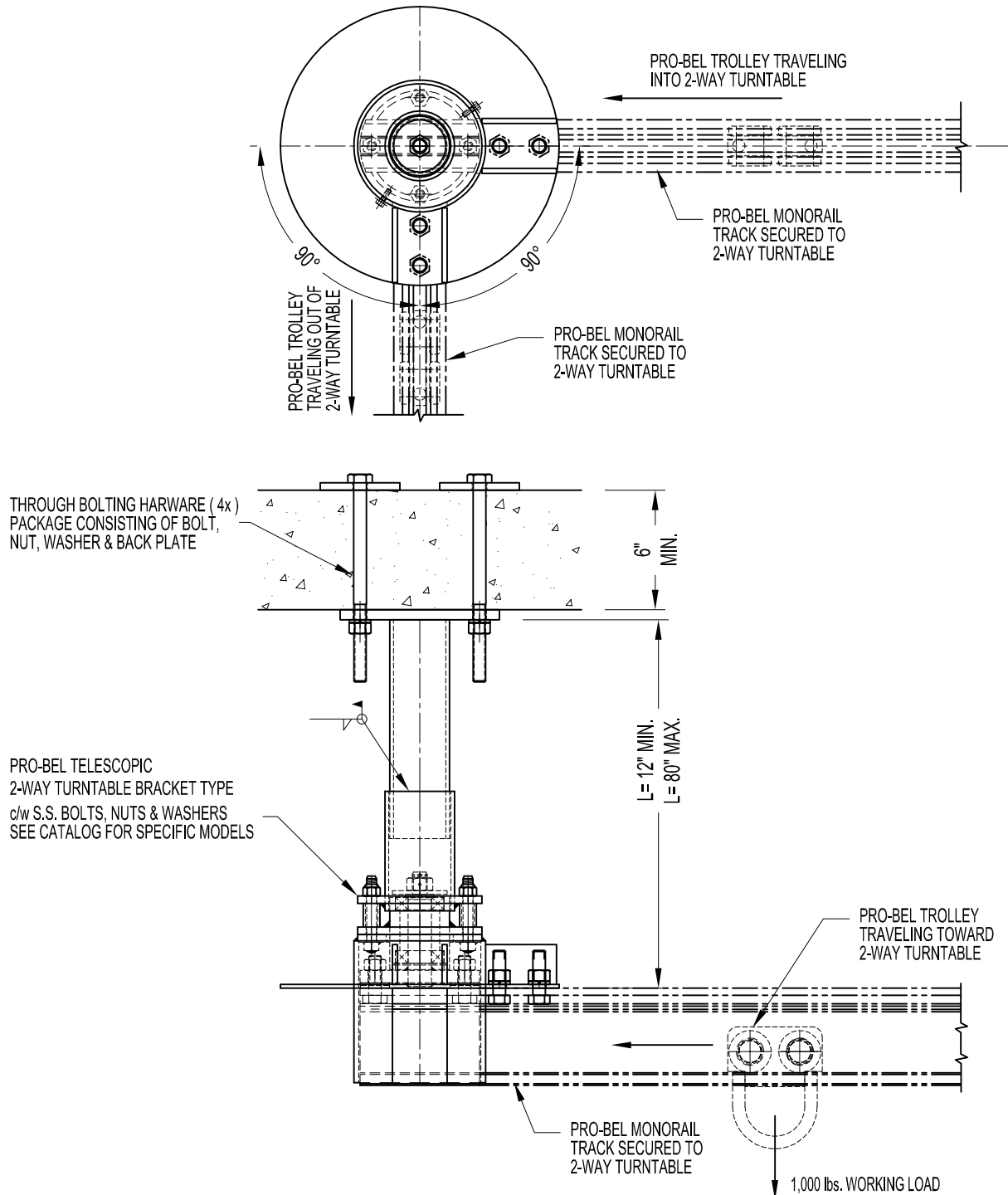


**NOTES:**

1. SYSTEM GOOD FOR 1,000 lbs WORKING LOAD ONLY.
2. PRO-BEL 2-WAY TRUNTABLE HANGER BRACKET ASSEMBLY SHOWN BOLTED TO EXISTING CONCRETE SLAB.
3. SEE MONORAIL CATALOG FOR MORE DETAILS ON PRO-BEL MONORAIL SYSTEM, INCLUDING OTHER AVAILABLE ACCESSORIES.

**IMPORTANT:**

1. IT IS THE RESPONSIBILITY OF THE STRUCTURAL ENGINEER FOR THE OVERALL PROJECT TO ENSURE THAT THE STRUCTURE ON WHICH THE SAFETY EQUIPMENT BY PRO-BEL IS INSTALLED, IS REINFORCED TO WITHSTAND THE LOADS INDICATED ON THIS DRAWING.



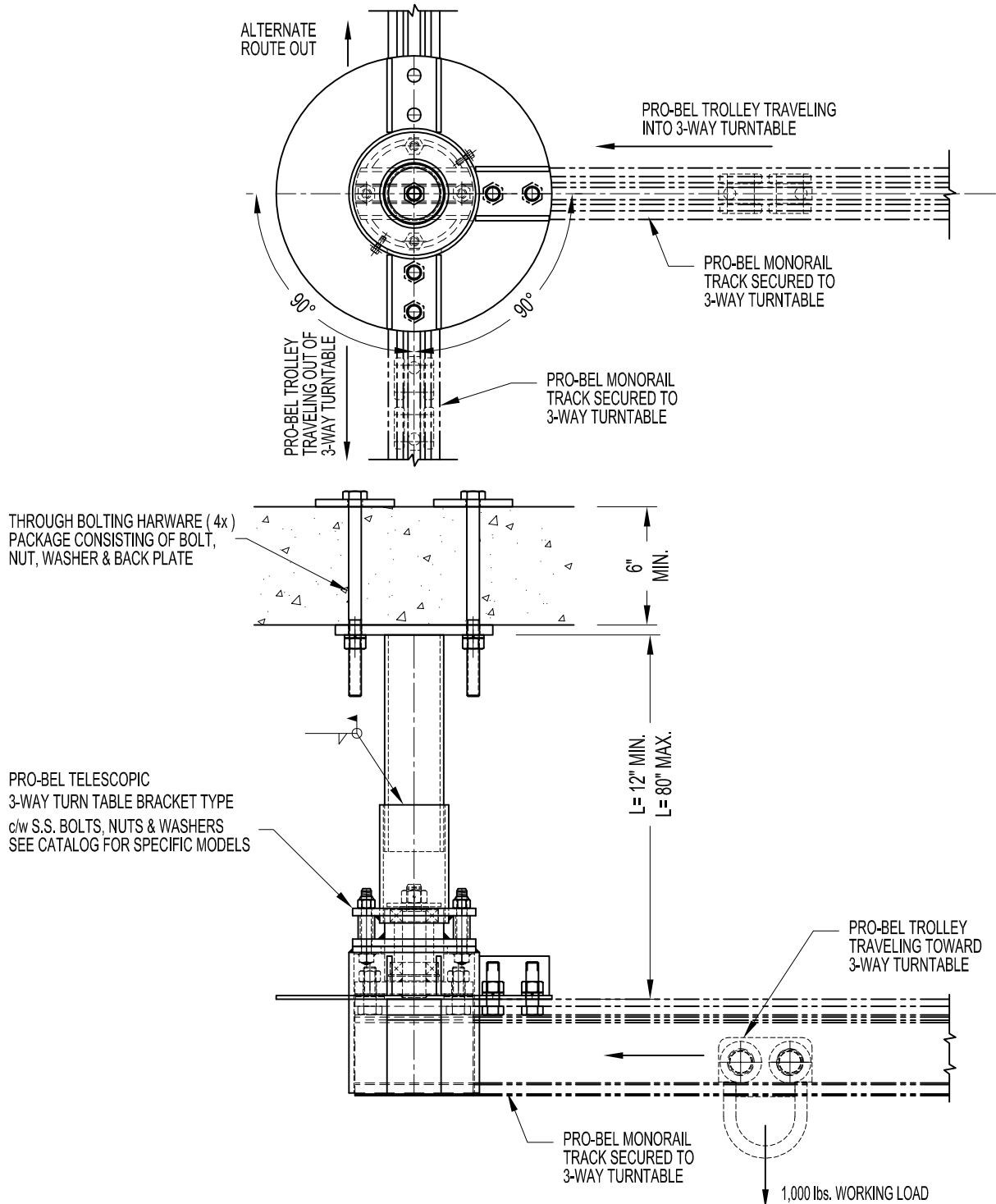
**MN-TT210-8000: PRO-BEL 2-WAY TURNTABLE HANGER BRACKET ASSEMBLY (THROUGH BOLTED)**

**NOTES:**

1. SYSTEM GOOD FOR 1,000 lbs WORKING LOAD ONLY.
2. PRO-BEL 3-WAY TRUNTABLE HANGER BRACKET ASSEMBLY SHOWN BOLTED TO EXISTING CONCRETE SLAB.
3. SEE MONORAIL CATALOG FOR MORE DETAILS ON PRO-BEL MONORAIL SYSTEM, INCLUDING OTHER AVAILABLE ACCESSORIES.

**IMPORTANT:**

1. IT IS THE RESPONSIBILITY OF THE STRUCTURAL ENGINEER FOR THE OVERALL PROJECT TO ENSURE THAT THE STRUCTURE ON WHICH THE SAFETY EQUIPMENT BY PRO-BEL IS INSTALLED, IS REINFORCED TO WITHSTAND THE LOADS INDICATED ON THIS DRAWING.



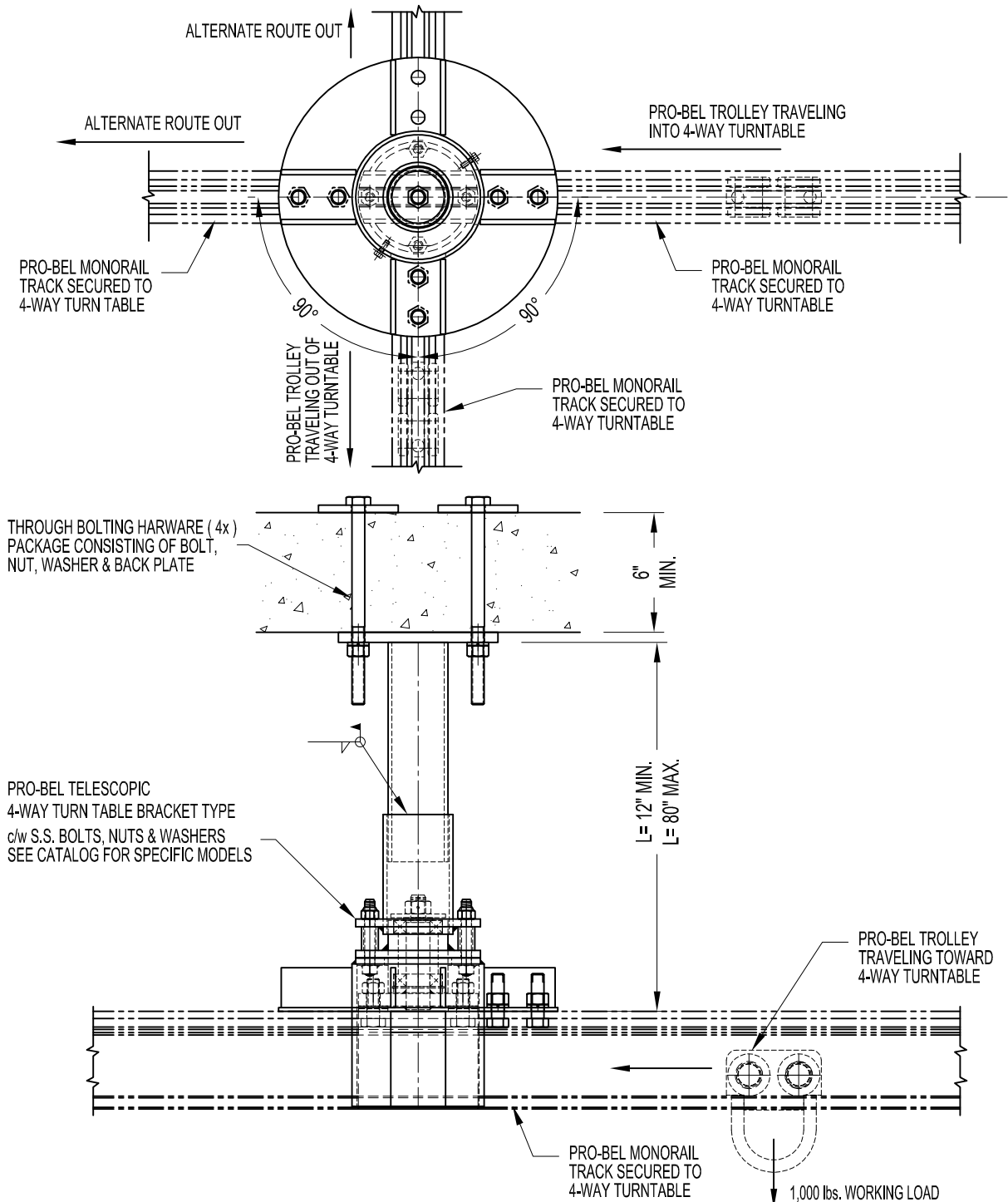
**MN-TT310-8000: PRO-BEL 3-WAY TURNABLE HANGER BRACKET ASSEMBLY (THROUGH BOLTED)**

**NOTES:**

1. SYSTEM GOOD FOR 1,000 lbs WORKING LOAD ONLY.
2. PRO-BEL 4-WAY TRUNTABLE HANGER BRACKET ASSEMBLY SHOWN BOLTED TO EXISTING CONCRETE SLAB.
3. SEE MONORAIL CATALOG FOR MORE DETAILS ON PRO-BEL MONORAIL SYSTEM, INCLUDING OTHER AVAILABLE ACCESSORIES.

**IMPORTANT:**

1. IT IS THE RESPONSIBILITY OF THE STRUCTURAL ENGINEER FOR THE OVERALL PROJECT TO ENSURE THAT THE STRUCTURE ON WHICH THE SAFETY EQUIPMENT BY PRO-BEL IS INSTALLED, IS REINFORCED TO WITHSTAND THE LOADS INDICATED ON THIS DRAWING.



**MN-TT410-8000: PRO-BEL 4-WAY TURNTABLE HANGER BRACKET ASSEMBLY (THROUGH BOLTED)**