

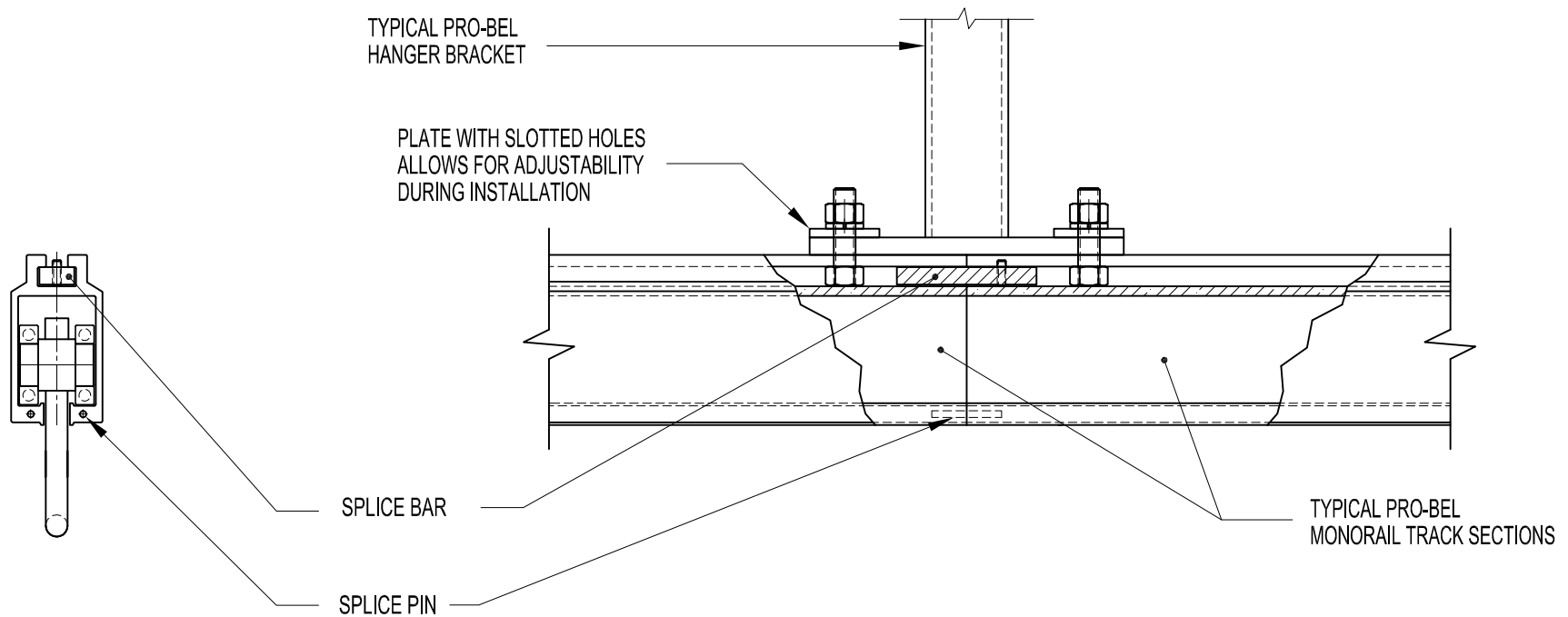


Pro-Bel Group Ltd.
765 Westney Road South
Ajax, Ontario, Canada L1S 6W1

Toll Free: (800) 461-0575
Tel: (905)-427-0616
Fax: (905)-427-2545
Email: info@pro-belgroup.com

NOTES:

1. SYSTEM GOOD FOR 1,000 lbs WORKING LOAD ONLY.
2. PRO-BEL MONORAIL TRACK SECTIONS SHOWN WITH TYPICAL SPLICE DETAIL.
3. SEE MONORAIL CATALOG FOR MORE DETAILS ON PRO-BEL MONORAIL SYSTEM AND OTHER AVAILABLE ACCESSORIES.



MNSPL10: PRO-BEL MONORAIL TRACK SECTIONS AT SPLICE