



**Pro-Bel Group Ltd.**  
765 Westney Road South  
Ajax, Ontario, Canada L1S 6W1

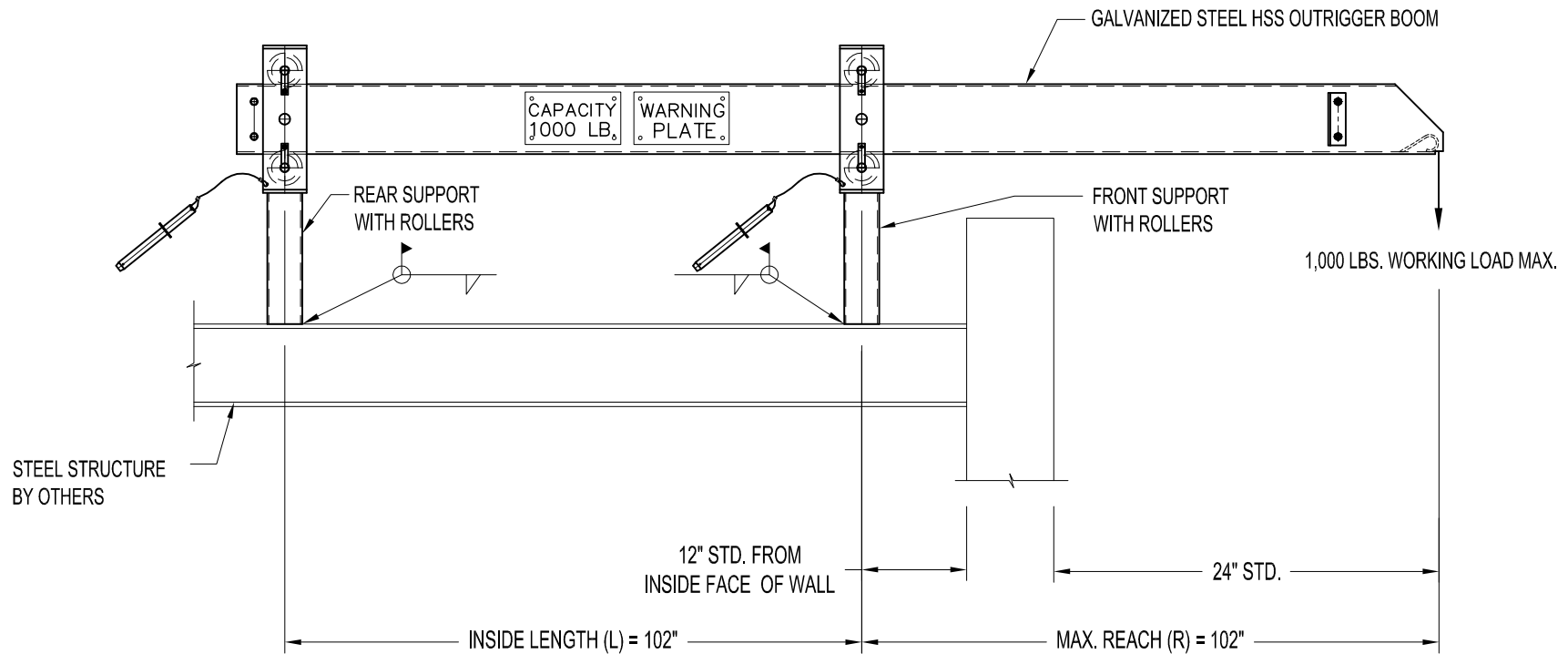
Toll Free: (800) 461-0575  
Tel: (905)-427-0616  
Fax: (905)-427-2545  
Email: info@pro-belgroup.com

**NOTES:**

1. 1,000 lbs. WORKING LOAD.
2. ASSEMBLY SHOWN IS FOR SINGLE SUSPENSION. WORKER'S LIFELINE TO BE TIED TO INDEPENDENT ANCHOR.
3. THE INBOARD END OF THE OUTRIGGER SHALL NOT BE LESS THAN 1 TIMES THE OUTBOARD END IN LENGTH ( $L > R$ ).
4. BASE PLATE REQUIRED WHEN BEAM WIDTH IS LESS THAN  $4 \frac{5}{8}$ ".
5. ASSEMBLY SHOWN IS FOR MAX. REACH OF 8'-6".

**IMPORTANT:**

1. OUTRIGGERS ARE DESIGNED TO A TYPICAL SUSPENSION WORKING LOAD OF 1,000 lbs. (4.5 KN), WITH A FACTOR OF SAFETY OF 4 AGAINST FRACTURE OR DETACHMENT.
2. IT IS THE RESPONSIBILITY OF THE STRUCTURAL ENGINEER FOR THE OVERALL PROJECT TO ENSURE THAT THE STRUCTURE ON WHICH THE SAFETY EQUIPMENT BY PRO-BEL IS INSTALLED, IS REINFORCED TO WITHSTAND THE LOADS INDICATED ON THIS DRAWING.



**A-OR-5540-102: FIXED OUTRIGGER ASSEMBLY (UP TO 8'-6 REACH) - WELD TO STRUCTURE**