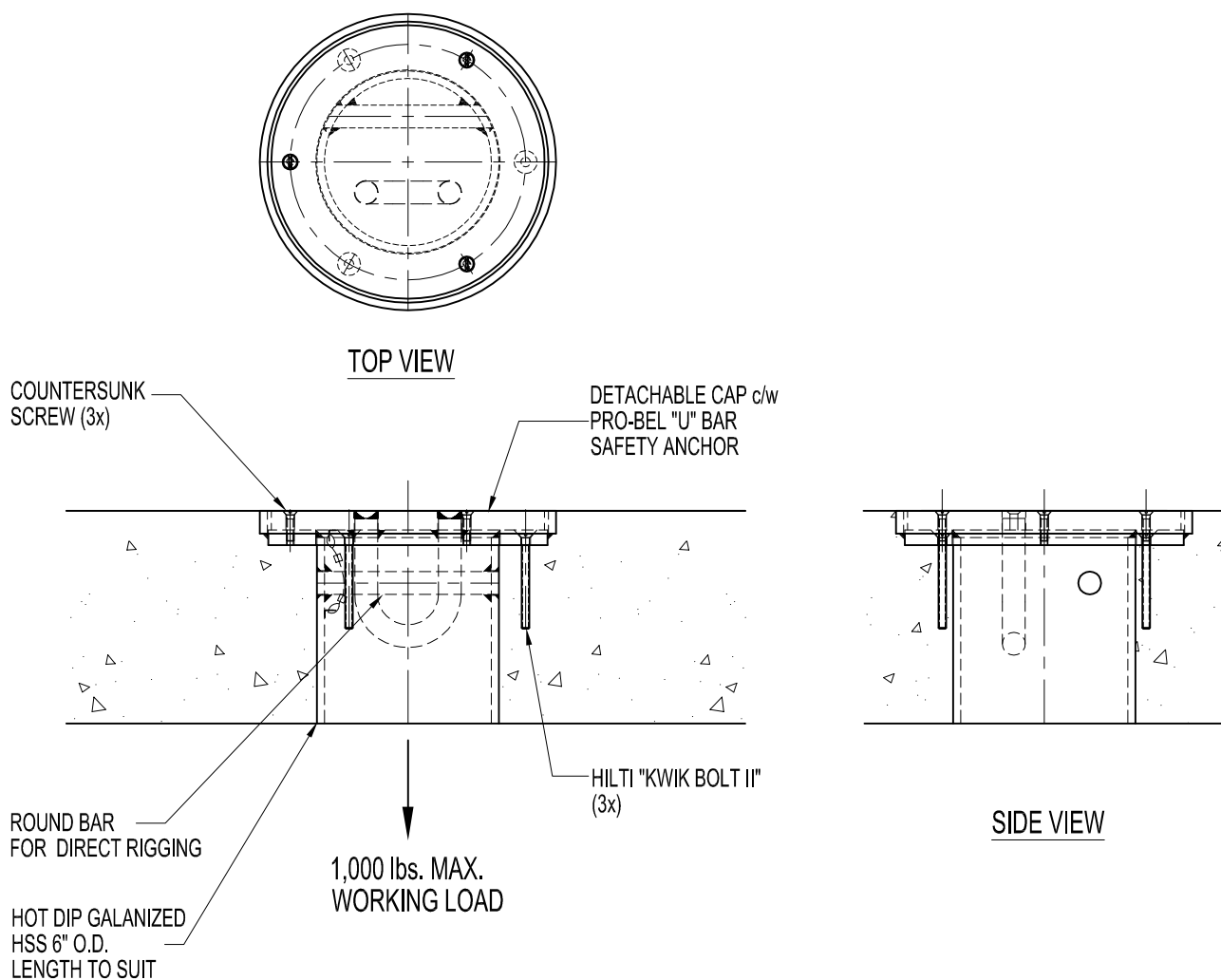


NOTES:

1. 1,000 lbs. WORKING LOAD IN VERTICAL DIRECTION.
2. MINIMUM CONCRETE SLAB THICKNESS IS 5".

IMPORTANT:

1. RIGGING SLEEVES ARE DESIGNED TO A TYPICAL SUSPENSION WORKING LOAD OF 1,000 lbs. (4.5 kN), WITH A FACTOR OF SAFETY OF 4 AGAINST FRACTURE OR DETACHMENT.
2. IT IS THE RESPONSIBILITY OF THE STRUCTURAL ENGINEER FOR THE OVERALL PROJECT TO ENSURE THAT THE STRUCTURE ON WHICH THE SAFETY EQUIPMENT BY PRO-BEL IS INSTALLED, IS REINFORCED TO WITHSTAND THE LOADS INDICATED ON THIS DRAWING.



A-RSV6212: FLUSH MOUNT RECESSED - VERTICAL RIGGING SLEEVE ASS'Y (Ø6" TUBE, TYP.)



Pro-Bel Group Ltd.
765 Westney Road South
Ajax, Ontario, Canada L1S 6W1

Toll Free: (800) 461-0575
Tel: (905)-427-0616
Fax: (905)-427-2545
Email: info@pro-belgroup.com

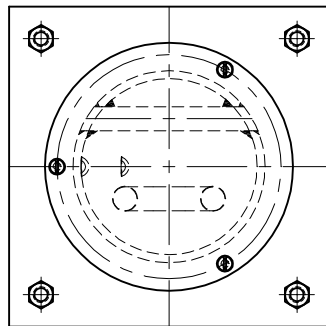
NOTES:

1. 1,000 lbs. WORKING LOAD IN VERTICAL DIRECTION.
2. MINIMUM CONCRETE SLAB THICKNESS IS 4".
3. MODEL SHOWN BELOW IS FOR RETROFIT JOB.

IMPORTANT:

1. RIGGING SLEEVES ARE DESIGNED TO A TYPICAL SUSPENSION WORKING LOAD OF 1,000 lbs. (4.5 kN), WITH A FACTOR OF SAFETY OF 4 AGAINST FRACTURE OR DETACHMENT.

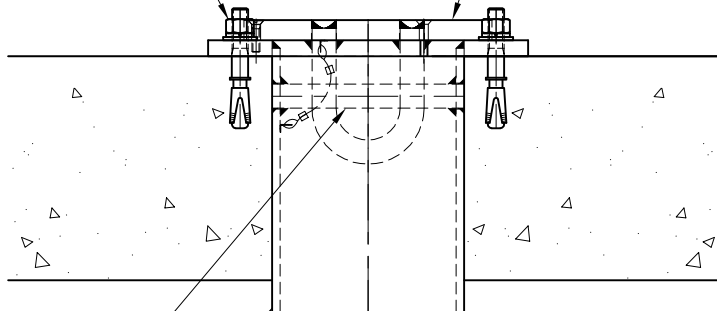
2. IT IS THE RESPONSIBILITY OF THE STRUCTURAL ENGINEER FOR THE OVERALL PROJECT TO ENSURE THAT THE STRUCTURE ON WHICH THE SAFETY EQUIPMENT BY PRO-BEL IS INSTALLED, IS REINFORCED TO WITHSTAND THE LOADS INDICATED ON THIS DRAWING.



TOP VIEW

HILTI "KWIK BOLT II"
(4x)

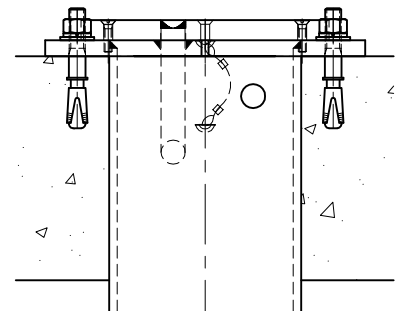
DETACHABLE CAP c/w
PRO-BEL "U" BAR
SAFETY ANCHOR



ROUND BAR
FOR DIRECT RIGGING

HOT DIP GALVANIZED
HSS 6" O.D.
LENGTH TO SUIT

1,000 lbs. MAX.
WORKING LOAD



SIDE VIEW

A-RSV6112 RETROFIT RECESSED - VERTICAL RIGGING SLEEVE ASS'Y (Ø6" TUBE, TYP.)