

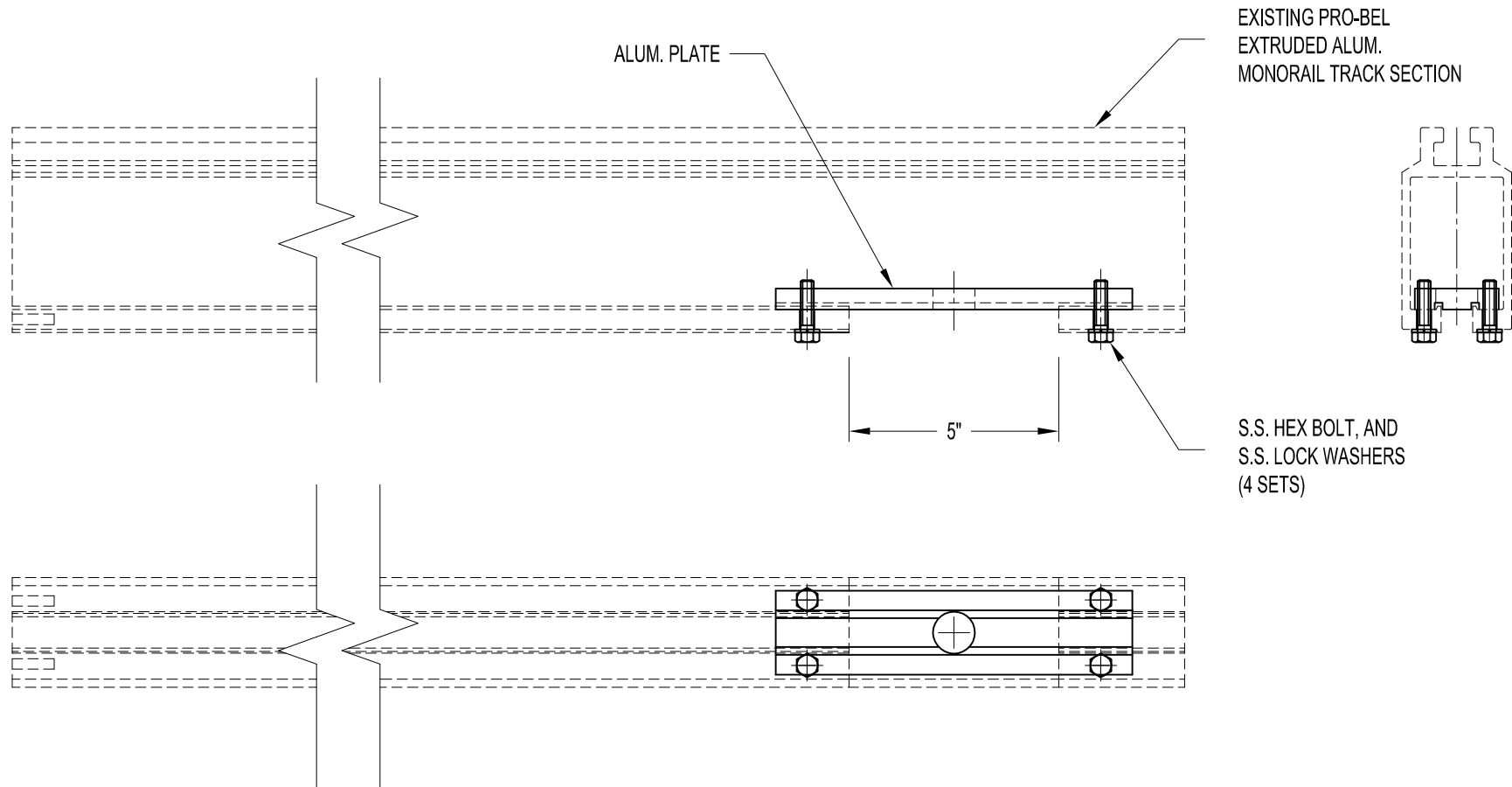


**Pro-Bel Group Ltd.**  
765 Westney Road South  
Ajax, Ontario, Canada L1S 6W1

Toll Free: (800) 461-0575  
Tel: (905)-427-0616  
Fax: (905)-427-2545  
Email: info@pro-belgroup.com

NOTES:

1. SEE MONORAIL CATALOG FOR MORE DETAILS ON PRO-BEL MONORAIL SYSTEM, INCLUDING OTHER AVAILABLE ACCESSORIES.



**MNEE1-A05: PRO-BEL MONORAIL TRACK SECTION WITH 5" LONG ENTRY/EXIT FOR PRO-BEL STD. TROLLEY (TR-001S)**

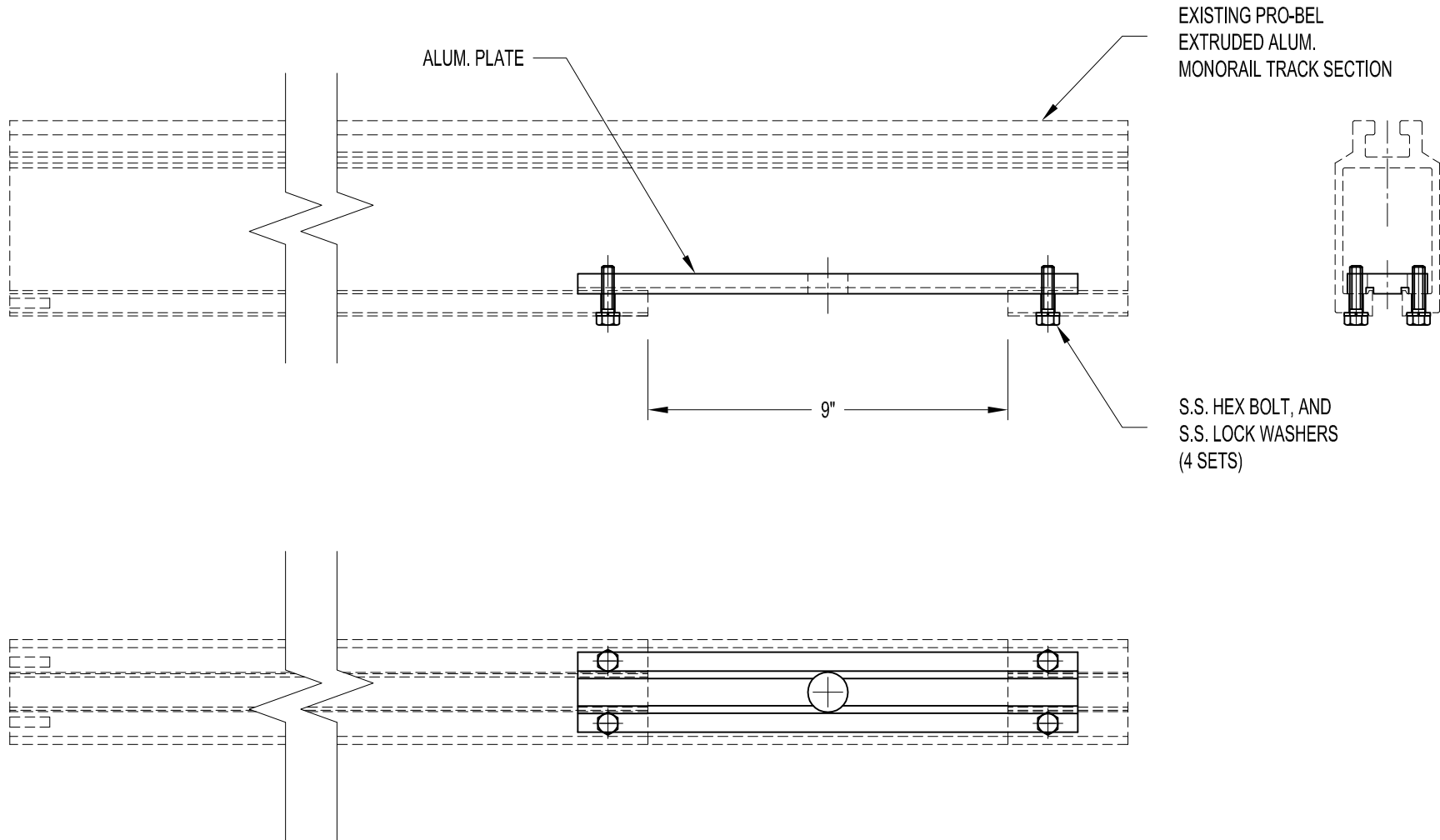


**Pro-Bel Group Ltd.**  
765 Westney Road South  
Ajax, Ontario, Canada L1S 6W1

Toll Free: (800) 461-0575  
Tel: (905)-427-0616  
Fax: (905)-427-2545  
Email: info@pro-belgroup.com

NOTES:

1. SEE MONORAIL CATALOG FOR MORE DETAILS ON PRO-BEL MONORAIL SYSTEM, INCLUDING OTHER AVAILABLE ACCESSORIES.



**MNEE1-A09: PRO-BEL MONORAIL TRACK SECTION WITH 5" LONG ENTRY/EXIT FOR ALL PRO-BEL TROLLEY TYPES**

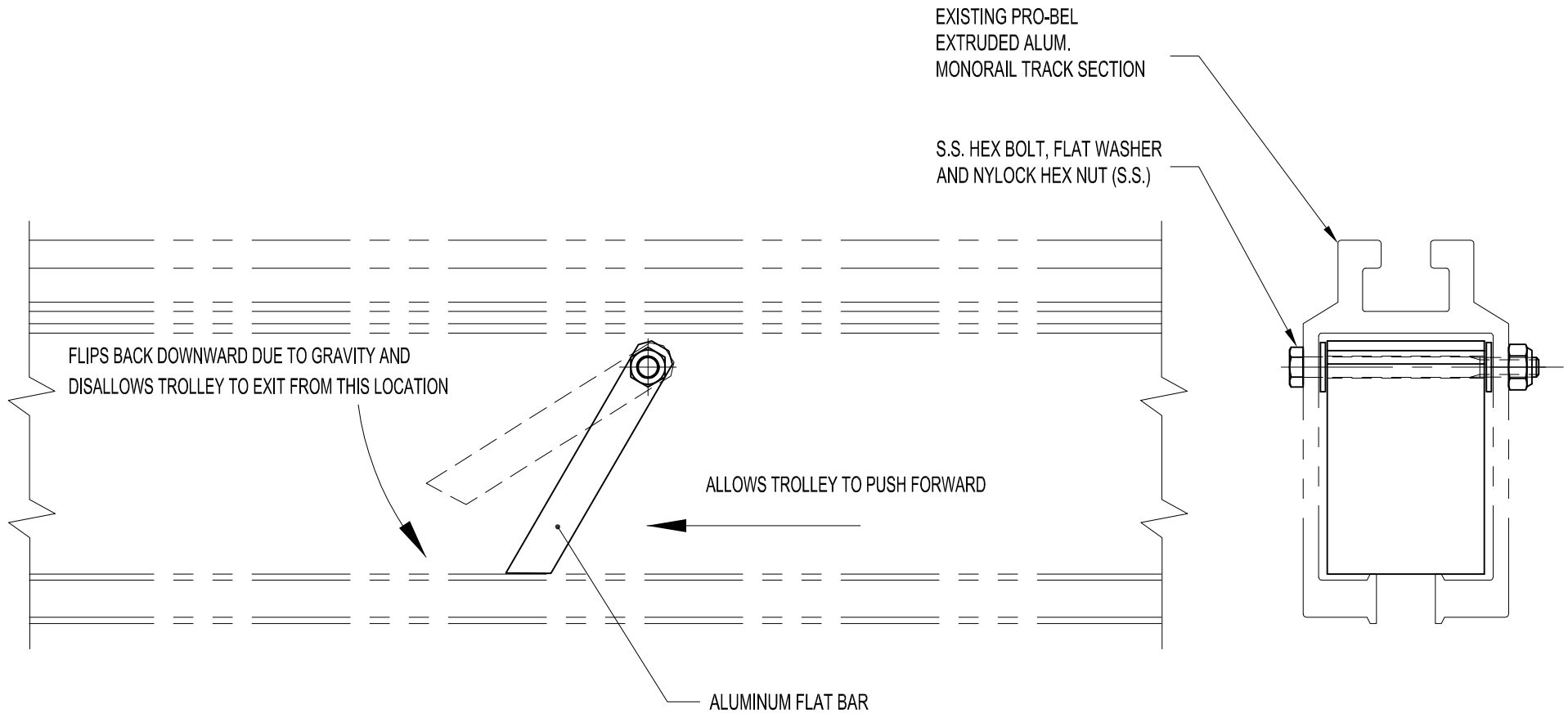


**Pro-Bel Group Ltd.**  
765 Westney Road South  
Ajax, Ontario, Canada L1S 6W1

Toll Free: (800) 461-0575  
Tel: (905)-427-0616  
Fax: (905)-427-2545  
Email: info@pro-belgroup.com

NOTES:

1. SEE MONORAIL CATALOG FOR MORE DETAILS ON PRO-BEL MONORAIL SYSTEM, INCLUDING OTHER AVAILABLE ACCESSORIES.



**MNES40: PRO-BEL MONORAIL TRACK SECTION GRAVITY LOCK (END STOP)**